

Ball Check Valve Flanged Ends & Threaded Ends

FIG. 5109
FIG. 5709

Specifications

- Face to face dimensions to EN558-1 basic series 48 & DIN3202 F6 series.
- Fully rubber coated ball.
- Functions even at a low pressure.
- Free low passage, blockage-free.
- Low frictional losses.
- For sewage prone to blockages.
- Flanged and drilling complies with EN1092-2 PN10/16; ANSI B 16.1 Class125 .
- With NPT or BSPT Thread Ends.
- Rated Working Pressure 16 bar, 250 psi.
- FIG: 5109 EAC Certificated.

Corrosion Protection

- Fusion Bonded Coating Interior and Exterior.

Material Specification

Part	Material	EN Specification	ASTM Specification
Body	Ductile Iron	EN 1563 EN-GJS-450-10	A536 Grade 65-45-12
Cover	Ductile Iron	EN 1563 EN-GJS-450-10	A536 Grade 65-45-12
Ball	DN25-50: Al with EPDM/NBR Encapsulated; DN65 and larger sizes:CS with EPDM/NBR Encapsulated		
Gasket	Rubber	EN 681 EPDM/NBR	D2000 EPDM/NBR

- Other material types are available upon request.

Schematic

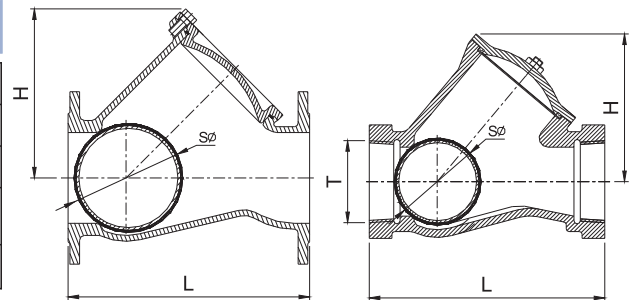
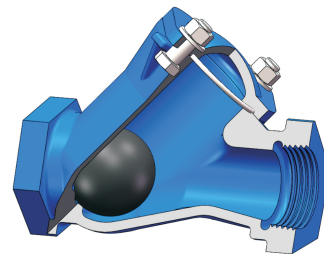
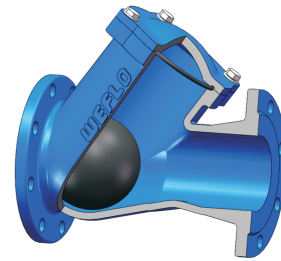


FIG.5109

FIG.5709

FIG. 5109 Main Dimensions (mm)

Size	DN40	DN50	DN65	DN80	DN100	DN125	DN150	DN200	DN250	DN300	DN350	DN400	DN500
L	180	200	240	260	300	350	400	500	600	700	800	900	1100
H	100	125	140	195	220	225	288	355	420	480	580	735	884
Sφ	50	63	80	96	125	150	180	250	320	370	414	490	600

FIG. 5709 Main Dimensions (mm)

Size	DN25	DN32	DN40	DN50	DN65	DN80	DN100
T	1"NPT/BSPT	1-1/4"NPT/BSPT	1-1/2"NPT/BSPT	2"NPT/BSPT	2-1/2"NPT/BSPT	3"NPT/BSPT	4"NPT/BSPT
L	107	140	180	200	240	260	300
H	60	75	95	125	140	180	207
Sφ	32	40	50	63	80	96	125

Notes

- Designs, materials and specifications shown are subject to change without notice due to the continuous development of our products.