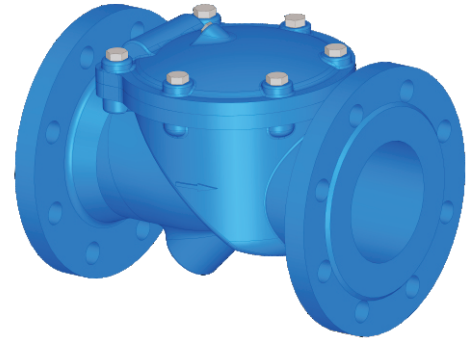


Flex Check Valve

FIG. 5107

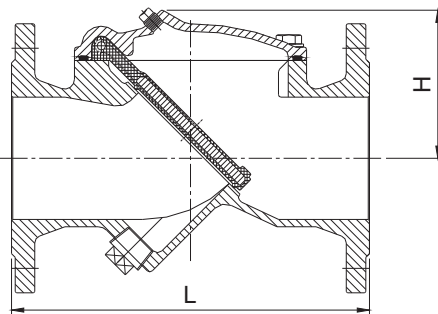
Specifications

- The disc is precision molded with an integral O-ring type sealing surface, and contain alloy with nylon reinforcement in the flexible hinge area.
- A threaded port with pipe plug on the bottom of valve to allow for field installation of a backflow actuator.
- Slamming and water hammer virtually non-existent due to its short closing travel.
- Full top-entry access for easy on-line inspection and maintenance.
- Flanged and Drilling comply with EN1092-2 PN10/PN16, ANSI/ASME B16.1 Class125, ANSI/ASME B16.42 Class150.
- Rated Working Pressure 16 bar, 250 psi.
- Fusion Bonded Coating Interior and Exterior.
- NSF/ANSI/CAN 61 & 372 Certified.

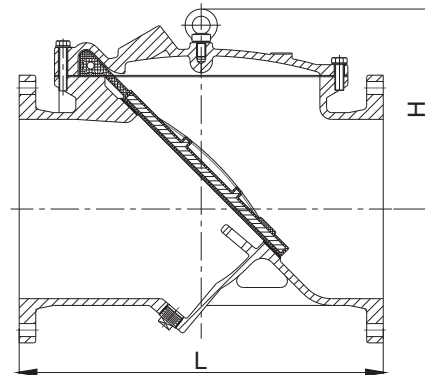


Main Dimensions (inch/mm)

DN50-DN300



DN350-DN600



DN	50	65	80	100	125	150	200
L	8.0/204	8.5/216	9.5/241	11.5/292	13.7/349	15.0/382	19.5/495
H	4.0/101	4.2/106	4.4/111	5.3/135	5.7/144	7.1/180	8.9/225

DN	250	300	350	400	450	500	600
L	24.5/622	27.5/699	31.0/787	32.0/813	36.0/914	40.0/1016	47.6/1209
H	10.7/272	12.2/310	15.2/387	17.7/450	19.5/495	21.1/535	24.4/620

Material Specification

Part	Material	EN Specification	ASTM Specification
Body	Ductile Iron	EN 1563 EN-GJS-450-10	A536 Grade 65-45-12
Cover	Ductile Iron	EN 1563 EN-GJS-450-10	A536 Grade 65-45-12
Disc	EPDM/NBR Encapsulated Steel		
Gasket	Rubber	EN 681 EPDM/NBR	D2000 EPDM/NBR
Plug	Malleable Iron	EN 1562 EN-GJMB-350-10	A47 Grade 22010
Fasteners	Carbon Steel	Grade 4.8	A307 Grade B

- Other material types are available upon request.

Notes

- Designs, materials and specifications shown are subject to change without notice due to the continuous development of our products.