

Angle Fire Pump Relief Valve FL x Gr Ends

FIG. F1359-FG

Specifications

- Flanged to EN 1092-1 PN16, ASME B16.5 Class150/300, GB/T 9113.1 PN16.
- Grooved Ends to AWWA C606 Standard.
- Opens quickly; maintains pressure within close limits.
- Wide range adjustable: 65psi - 300psi (4.5 bar - 21 bar).
- Pilot operated main valve.
- Reduced cavitation design.
- Simple field adjustable pressure setting, requiring no special tools or system down time.
- Closes gradually for surge-free operation.
- UL 1478 Listed.
- Limits maximum pump discharge pressure.
- Factory tested & preset to requirements.
- 300psi (21bar) high Working Pressure
600psi (42bar) Hydrostatic Test

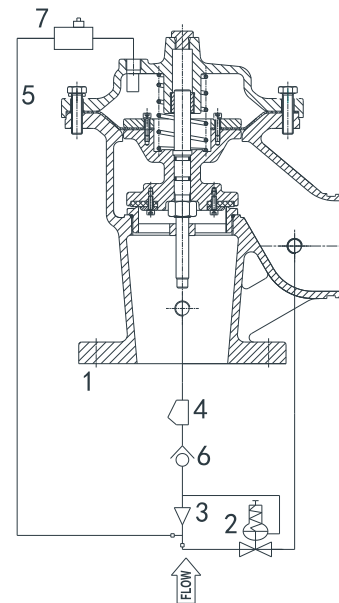
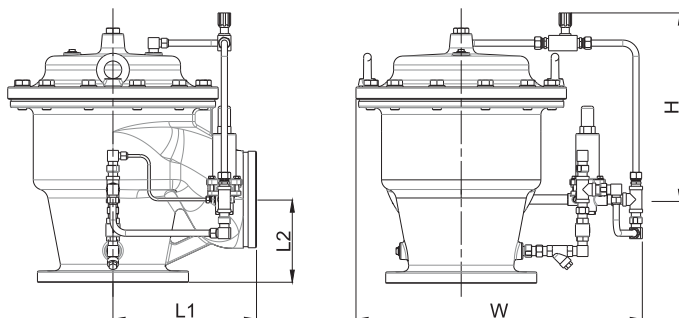
Material Specifications

Main Valve Parts	Material	ASTM Specification
Body	Stainless Steel	A351 Grade CF8
Seat	Stainless Steel	A276 Type 316
Seal Disc	Rubber	D2000 EPDM
Diaphragm	Nylon Reinforced Natural Rubber	
Diaphragm Disc	Stainless Steel	A351 Grade CF8M
Diaphragm Adapter	Stainless Steel	A351 Grade CF8M
Spring	Stainless Steel	A276 Type 316
Bonnet	Stainless Steel	A351 Grade CF8
Bonnet Bolts	Stainless Steel	A276 Type 316
Stem	Stainless Steel	A276 Type 316
O-Ring	Rubber	D2000 NBR

No.	Trim Components	Material
1	Basic Control Valve	Assembly
2	Pressure Relief Pilot	Assembly
3	Ejector	Stainless Steel 304
4	Y-strainer	Stainless Steel 304
5	Tubing/Fittings	Stainless Steel 304
6	Check Valve	Stainless Steel 304
7	Stabilizer	Stainless Steel 304

- Body and Bonnet: CF8/CF8M/CF3M/S31803/S32750.

Main Dimensions (mm /inch)



Size	L1	L2	H	W
3"	149/5.9	110/4.3	265/10.5	455/18.0
4"	185/7.3	130/5.1	310/12.2	470/18.5
5"	218/8.6	140/5.5	360/14.2	490/19.3
6"	265/10.4	155/6.1	380/15.0	540/21.3
8"	326/12.8	190/7.5	450/17.8	590/23.2

Notes

- Designs, materials and specifications shown are subject to change without notice due to the continuous development of our products.