

## Grooved Butterfly Valve, Gear operated

## FIG. F1022-300/250/200

### Specifications

- Meet or exceed the requirements of EN 593 and MSS SP-67 Standard.
- Vulcanized Disc Design for Bubble-Tight Shutoff.
- Outdoor and Indoor rated.
- Flag Type Position Indicator.
- Built-in Supervisory Switch.
- Grooved Ends Dimensions meet AWWA C606 Standard or other IPS Pipe.
- Face to Face Dimension complies with MSS SP-67.
- UL/ULC 1091 Listed, FM 1112 Approved, VdS 2100-08en and 3C Certified, CNBOP Certified.
- Rated Working Pressure:  
16 bar for F1022-300 certified of VdS and 3C,  
300 psi for F1022-300 approved of FM,  
300 psi for F1022-300 listed of UL/ULC,  
250 psi for F1022-250 listed of UL/ULC,  
200 psi for F1022-200 listed of UL/ULC.

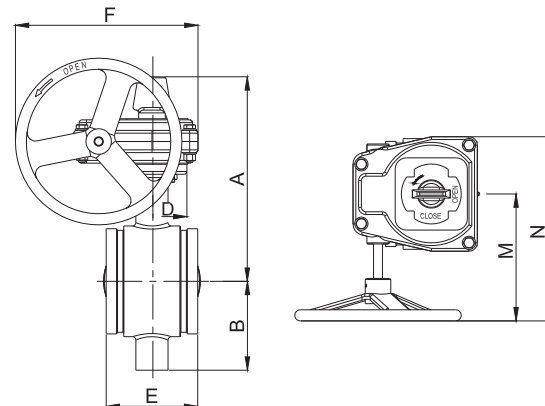
### Corrosion Protection

- Fusion Bonded Epoxy Coated Interior and Exterior to AWWA C550 Standard.

### Material Specifications

Part	Material	ASTM Specification
Body	Ductile Iron	A536 Grade 65-45-12
Disc	EPDM fully Encapsulated Ductile Iron	
Shaft	Stainless Steel	A276 Type 431
Bushing	Brass	B124 C37700
Housing	Gray Cast Iron	A126 Class B
Fasteners	Carbon Steel	A307 Grade B

### Schematic



### Main Dimensions (mm/inch)

Size	A	B	E	F	M	N
2	220/8.70	76/2.99	84/3.30	190/7.48	140/5.51	220/8.66
2.5	230/9.00	85/3.35	97/3.81	190/7.48	140/5.51	220/8.66
3	235/9.25	90/3.55	97/3.81	190/7.48	140/5.51	220/8.66
4	265/10.45	110/4.30	116/4.56	190/7.48	140/5.51	220/8.66
5	285/11.25	120/4.75	148/5.81	215/8.46	140/5.51	220/8.66
6	305/12.00	145/5.70	148/5.81	215/8.46	140/5.51	220/8.66
8	360/14.25	180/7.00	133/5.25	280/11.02	205/8.07	310/12.20
10	410/16.20	230/9.00	159/6.25	330/13.00	215/8.46	320/12.60
12	435/17.13	260/10.25	165/6.50	330/13.00	215/8.46	320/12.60

#### Note

- Designs, materials and specifications shown are subject to change without notice due to the continuous development of our products.