

Y-Type Strainer, Flanged Ends

FIG. F0511-175
FIG. F0511-300

Specification

- Meet or exceed the requirements of UL 321 Standard.
- NPT or BSPT blowoff outlet on cover (blowoff outlets are furnished with plugs).
- Recessed seat in body assure accurate screen alignment.
- Round holes with 60 degrees staggered.
- Excellent flow characteristics and low pressure losses at high flow rates.
- Connection Ends: ASME B16.1 Class 125 or EN1092-2 PN10/16. (Other Flange Types Available Upon Request)
- Rated Working Pressure:
175 psi for F0511-175, 300 psi for F0511-300.
- UL 321 / ULC Listed.

Corrosion Protection

- Fusion Bonded Epoxy Coated Interior and Exterior to AWWA C550 Standard.

Options

- Spray Painted.

Material Specification

Part	Material	ASTM Specification
Body	Ductile Iron	A536 Grade 65-45-12
Cover	Ductile Iron	A536 Grade 65-45-12
Screen	Stainless Steel	A276 Type 304
Body/Cover Gasket	F0511-175 PTFE / Graphite F0511-300 Rubber EPDM	Commercial D2000
Cover Bolts	Carbon Steel	A307 Grade B
Plug	Gray Cast Iron	A126 Class B

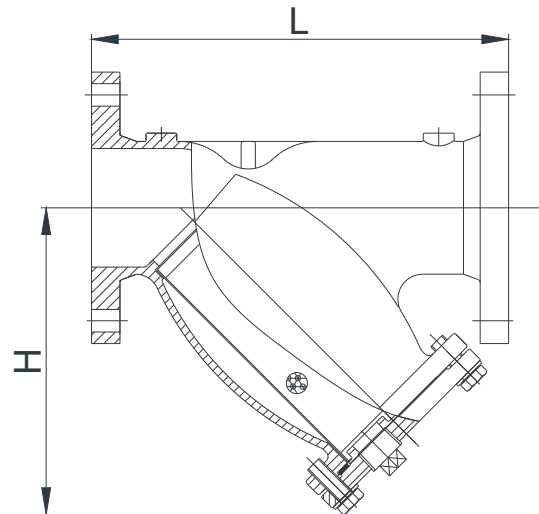
Standard Screens(mm/inch)

Size	Hole Diameter	Free Flow Area Opening
2.5"	3.0/0.12	53.60%
3" to 5"	4.3/0.17	55.43%
6" to 12"	6.0/0.24	63.00%

Main Dimensions (mm/inch)

Size	2.5	3	4	5	6	8	10	12
L	273/10.75	295/11.63	352/13.88	416/16.38	470/18.50	543/21.38	660/26.00	770/30.31
H	202/7.95	220/8.66	256/10.08	332/13.07	370/14.57	465/18.31	532/20.94	616/24.25
Plug Size	1"	1"	1"	1-1/4"	1-1/2"	1-1/2"	2"	2"

Schematic



Notes

• Designs, materials and specifications shown are subject to change without notice due to the continuous development of our products.