

## Y-Type Strainer, Grooved Ends

**FIG. F0522-175**  
**FIG. F0522-300**

### Specification

- Meet or exceed the requirements of UL 321 Standard.
- NPT or BSPT blowoff outlet on cover (blowoff outlets are furnished with plugs).
- Recessed seat in body assures accurate screen alignment.
- Round holes with 60 degrees staggered.
- Excellent flow characteristics and low pressure losses at high flow rates.
- Grooved Connections are cut in accordance with AWWA C606 or other standard Groove Specifications for Steel Pipe.
- Rated Working Pressure:  
175 psi for F0522-175, 300 psi for F0522-300.
- UL 321 / ULC Listed.

### Corrosion Protection

- Fusion Bonded Epoxy Coated Interior and Exterior to AWWA C550 Standard.

### Options

- Spray Painted.

### Material Specification

Part	Material	ASTM Specification
Body	Ductile Iron	A536 Grade 65-45-12
Cover	Ductile Iron	A536 Grade 65-45-12
Screen	Stainless Steel	A276 Type 304
Body/Cover	F0522-175 PTFE / Graphite	Commercial
Gasket	F0522-300 Rubber EPDM	D2000
Cover Bolts	Carbon Steel	A307 Grade B
Plug	Gray Cast Iron	A126 Class B

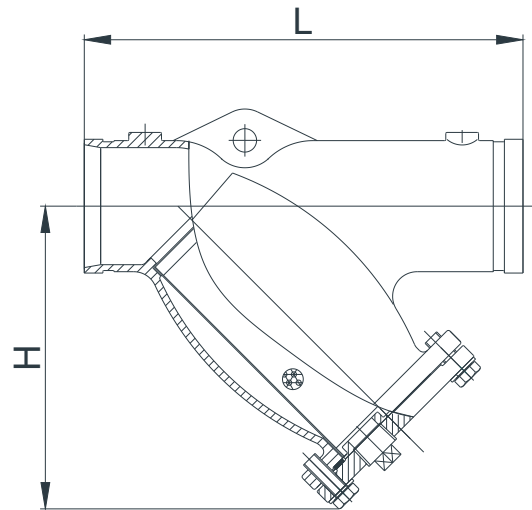
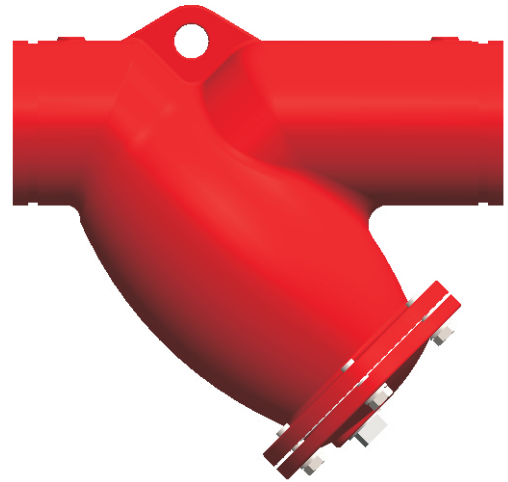
### Standard Screens(mm/inch)

Size	Hole Diameter	Free Flow Area Opening
2.5"	3.0/0.12	53.60%
3" to 5"	4.3/0.17	55.43%
6" to 12"	6.0/0.24	63.00%

### Main Dimensions (mm/inch)

Size	2.5	3	4	5	6	8	10	12
L	285/11.25	318/12.50	375/14.75	448/17.63	502/19.75	640/25.20	710/28.00	779/30.67
H	202/7.95	220/8.66	256/10.08	332/13.07	370/14.57	465/18.31	532/20.94	616/24.25
Plug Size	1"	1"	1"	1-1/4"	1-1/2"	1-1/2"	2"	2"

### Schematic



#### Notes

• Designs, materials and specifications shown are subject to change without notice due to the continuous development of our products.