

Wet-Barrel Fire Hydrant

FIG. F1311/F1311B-250

Specifications

- Meet or Exceed the Requirements of AWWA C503 Standard.
- NFPA 1963 Standard Nozzle Threads.
- Excellent Flow Characteristics.
- Multiple Nozzle Configurations.
- Inlet Flange to ASME B16.1 Class 125, size 6in.
- Rated Working Pressure 250 psi.
- UL 246 Listed and FM 1511 Approved.
- NSF/ANSI 61 & 372 certified for F1311B-250 Fire Hydrant.

Corrosion Protection

- Fusion Bonded Epoxy Coated Interior and Exterior to AWWA C550 Standard.

Options

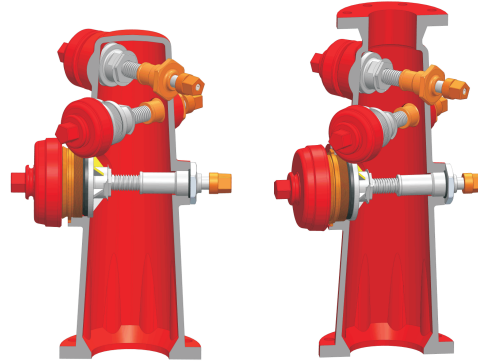
- Monitor Style available.
Monitor Flange: ASME B16.1 Class 125, Size 4".

Material Specifications

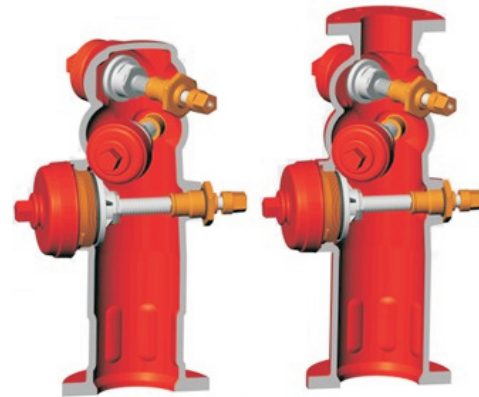
Part	Material	ASTM Specification
Body	Ductile Iron	A536 Grade 65-45-12
Pumper Nozzle Cap	Gray Cast Iron	A126 Class B
Pumper Nozzle	Bronze	B62 C83600
Disc	Rubber	D2000 NBR
Disc Holder	Stainless Steel	A351 Grade CF8
Disc Retainer	Bronze	B62 C83600
Hose Nozzle Cap	Gray Cast Iron	A126 Class B
Hose Nozzle	Bronze	B62 C83600
Stem	Stainless Steel	A276 Type 304
Stem Nut	Bronze	B62 C83600
Nozzle Gasket	Rubber	D2000 NBR
Cap Chain	Carbon Steel	A105
Operating Nut	Bronze	B62 C83600

- Note:
For NSF/ANSI 61 & 372 certification, bronze parts shall be C95200.

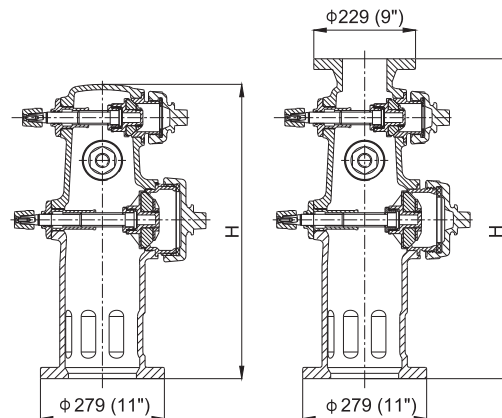
Schematic



F1311-250



F1311B-250



Style

Style No	Hose outlet	Pumper Nozzle Style	Monitor	Way	H (mm/inch)
F1311B-250	-2H0P	2 x 2.5"	N/A	2-Way	572/22.5
F1311B-250	-2H0PM	2 x 2.5"	N/A	2-Way	629/24.8
F1311B-250	-1H1P	1 x 2.5"	1 x 4" or 4.5" Nozzle, or 5" Storz	N/A	572/22.5
F1311B-250	-1H1PM	1 x 2.5"	1 x 4" or 4.5" Nozzle, or 5" Storz	Yes	629/24.8
F1311/1311B-250	-2H1P	2 x 2.5"	1 x 4" or 4.5" Nozzle, or 5" Storz	N/A	663/26.1
F1311/1311B-250	-2H1PM	2 x 2.5"	1 x 4" or 4.5" Nozzle, or 5" Storz	Yes	721/28.4

Notes

- Designs, materials and specifications shown are subject to change without notice due to the continuous development of our products.